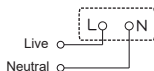
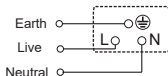


WIRING DIAGRAMS

2 Pin Socket

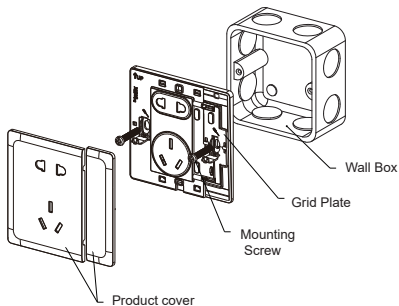


3 Pin Socket



MOUNTING INSTRUCTION

1. Connect the wires to the terminals (recommend to leave 10-12mm bare metal wire) and tighten the terminal screws.
2. Screw the grid plate onto the wall box.
3. Snap the product cover.



*Picture is for reference only